

Speaker

Model: OSS06-5723-14A2.0W8-W



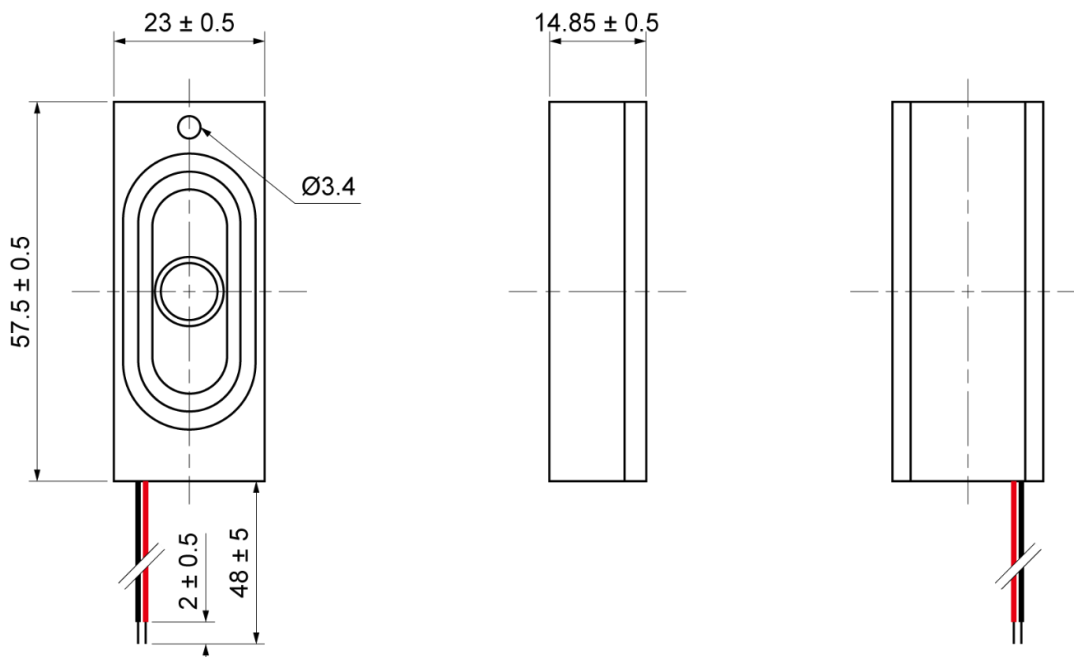
ELECTRICAL SPECIFICATIONS

	Condition	Parameter	Unit
Sound Pressure Level	at 1.0W, 0.5M [at 1.0, 1.2, 0.5, 2.0KHz]	89 ± 3	dB
Impedance	at 1V, 1000Hz	8 ± 15%	Ω
Rated Input Power		2	W
Max Input Power		4	W
Resonant Frequency (Fo)	at 1V	750 ± 20%	Hz
Frequency Range		F0 ~ 20000	Hz
Buzzer & Rattles	not be audible at sine wave between F0 ~ 20KHz	4	V
Operating Temperature		-30 ~ 75	°C
Magnet		Nd-Fe-B	
Frame Material		ABS	
Cone Material		Cloth	
Weight		30	g

MECHANICAL DRAWING

Dimensions in mm

Tolerance ±0.5mm Except Specified

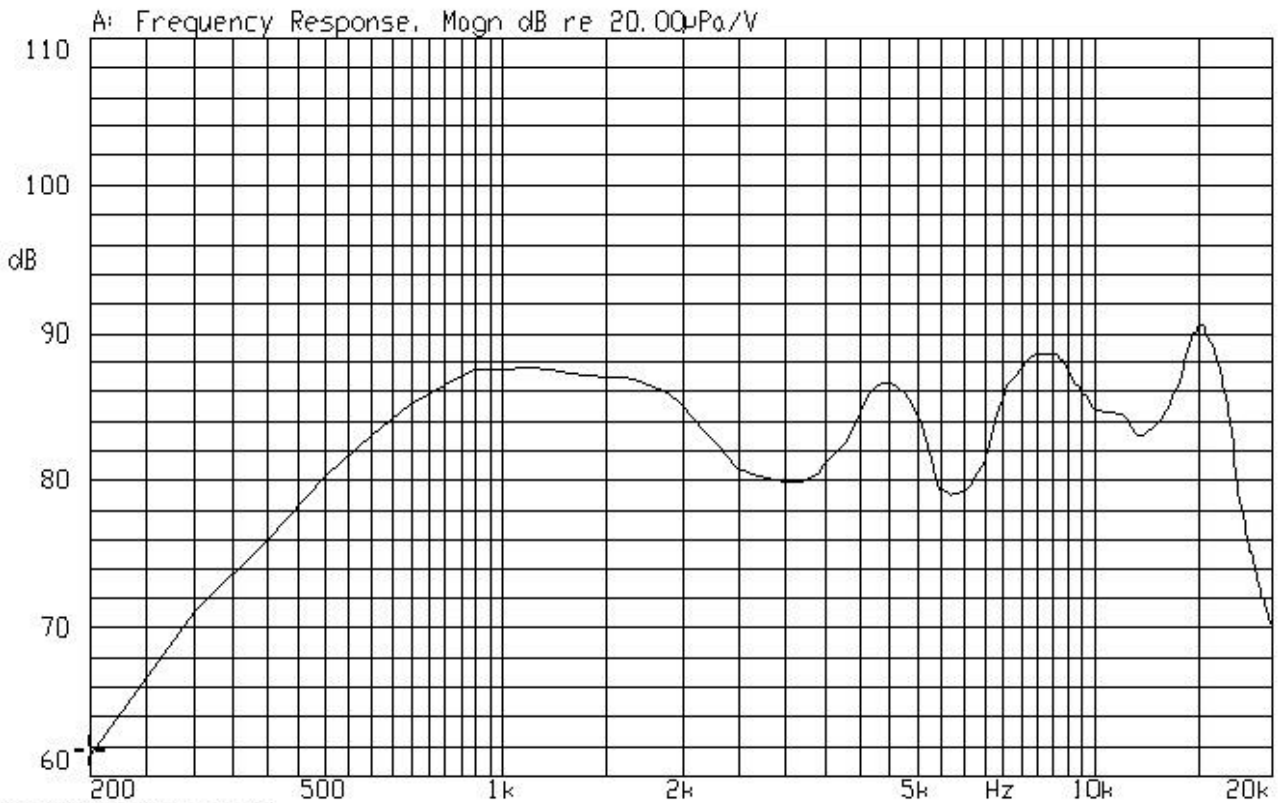


Speaker

Model: OSS06-5723-14A2.0W8-W

FREQUENCY RESPONSE CURVE

1W 0.5m 2.83V



12-APR-2010 09: 59: 36

Mode: TSR

